

# Ultra High Performance BGA Cooling Solutions w/ maxiGRIP™ Attachment\*

**DIGI-KEY PART # ATS1036-ND**

ATS PART # ATS-50250P-C2-R0

## Features & Benefits

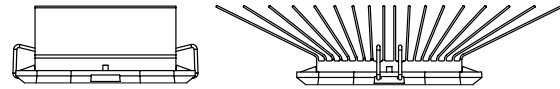
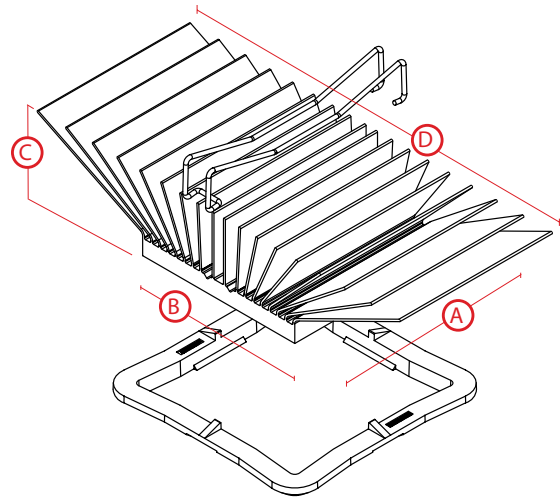
maxiFLOW™ design features a low profile, spread fin array that maximizes surface area for more effective convection (air) cooling

maxiGRIP™ attachment applies steady, even pressure to the component and does not require holes in the PCB

Meets Telcordia GR-63-Core Office Vibration; ETSI 300 019 Transportation Vibration; and MIL-STD-810 Shock and Unpackaged Drop Testing standards

Comes preassembled with high performance, phase changing, thermal interface material

Designed for standard height components from 3 to 4.5mm



## Thermal Performance Table

| AIR VELOCITY |     | THERMAL RESISTANCE |               |
|--------------|-----|--------------------|---------------|
| FT/MIN       | M/S | °C/W (UNDUCTED)    | °C/W (DUCTED) |
| 200          | 1.0 | 3.9                | 3             |
| 300          | 1.5 | 3.2                |               |
| 400          | 2.0 | 2.7                |               |
| 500          | 2.5 | 2.5                |               |
| 600          | 3.0 | 2.3                |               |
| 700          | 3.5 | 2.1                |               |
| 800          | 4.0 | 2                  |               |

## Product Details†

| DIMENSION A | DIMENSION B | DIMENSION C§ | DIMENSION D | TIM‡   | FINISH        |
|-------------|-------------|--------------|-------------|--------|---------------|
| 25          | 25          | 17.5         | 44.92       | C1100F | BLUE-ANODIZED |

For further technical information, please contact Advanced Thermal Solutions, Inc. at **1-781-769-2800** or [www.qats.com](http://www.qats.com)

\* RoHS Compliant

‡ TIM = Thermal Interface Material

† Dimensions are measured in millimeters

◆ Dimensions A & B refer to component size

§ Dimension C = the height of the heat sink shown above and does not include the height of the attachment method



**ATS** ADVANCED THERMAL SOLUTIONS, INC.

Innovations in Thermal Management®



To place an order, please visit [www.digikey.com](http://www.digikey.com)